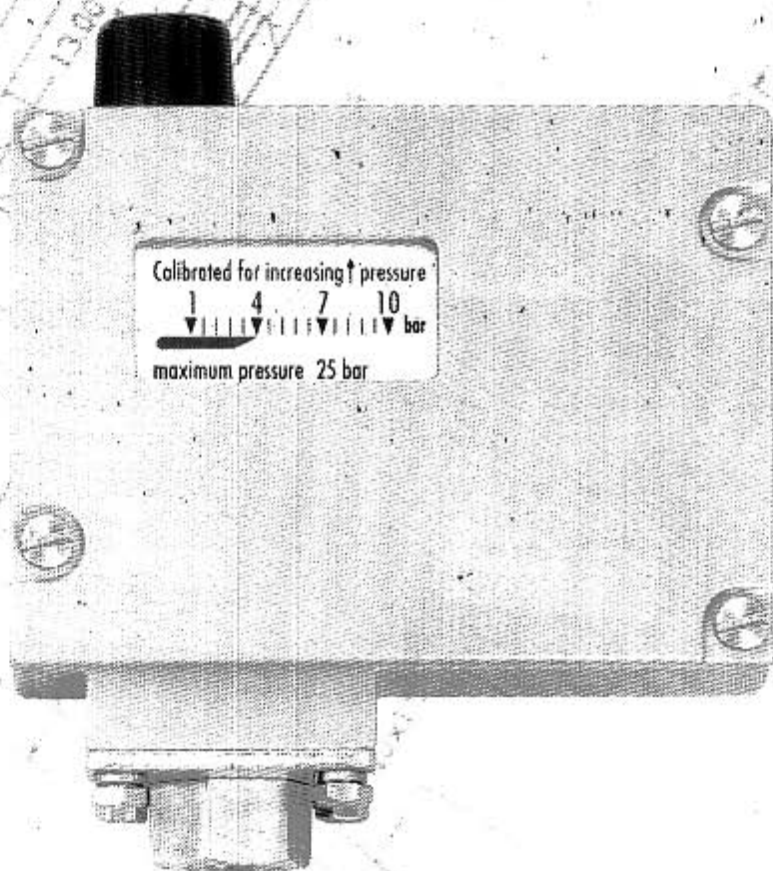




Indfos

YOUR PRESSURE AND TEMPERATURE SWITCH SOURCE
AS-SERIES PRESSURE SWITCHES
DIAPHRAGM SEALED PISTON SENSOR



An ISO 9001 : 2000 Company
Cert. No. FM 86099

PRESSURE SWITCH DIAPHRAGM SEALED PISTON SENSOR

The Instrument and Controls Division of Indfos supplies highly reliable Pressure and Temperature switches for industrial and process control applications. For over 40 years, the Indfos name has meant quality, versatility and reliability.

Pressure / Temperature control devices supplied by Indfos are providing dependable service in diverse nature of applications and installations. Indfos switches are currently being successfully used in Power Stations, Refineries, Chemical & Petrochemical plants, Steel Mills, Pulp and Paper Mills and Locomotives. Typical applications are on Pumps, Compressors, Boilers, Turbines, Burners, Filters etc.

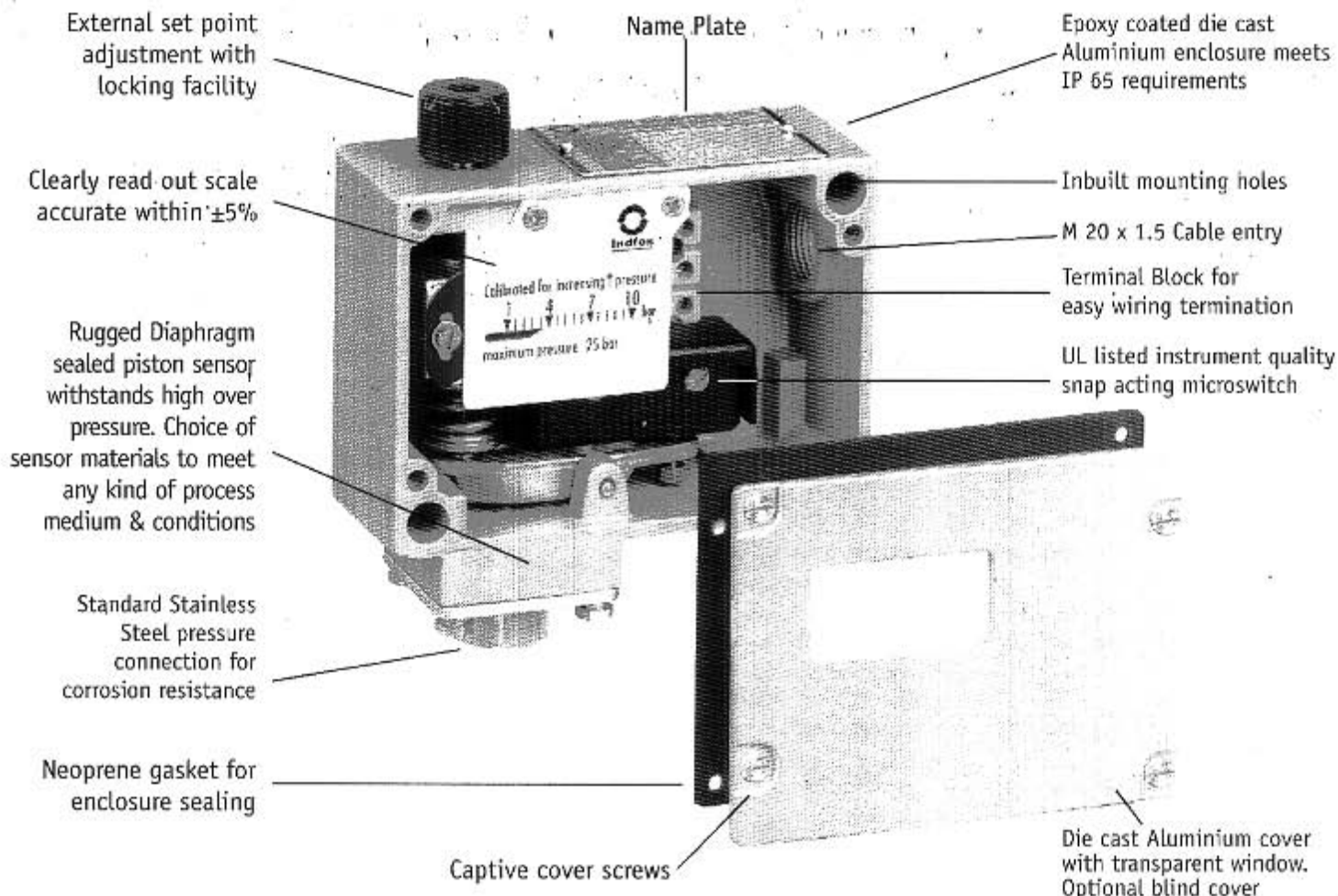
AS-Series Pressure switches continue this tradition of dependability and have been designed, keeping in view ease of installation and use, while ensuring high standards of performance and reliability. AS Series switches are cost effective and are packed with features that provide the user value for money.

FOR APPLICATIONS REQUIRING HIGH OVERPRESSURE CAPABILITY, WITH HIGH SENSITIVITY

GENERAL SPECIFICATIONS

ENCLOSURE	Die cast Aluminium, IP65 as per IS 13947
REPEATABILITY	± 1% FSR
SCALE ACCURACY	± 5% FSR
DIFFERENTIAL	Fixed
SWITCH	1SPDT snap acting microswitch
SENSOR	Diaphragm Sealed Piston
PROCESS CONNECTION	1/4" NPT (F)
CABLE ENTRY	M20 x 1.5 (Side)
MOUNTING	Back panel / Wall / Field
AMBIENT TEMP	70°C
CONFORMITY	Generally as per BS 6134

FEATURES



PRESSURE SWITCH DIAPHRAGM SEALED PISTON SENSOR

ORDERING TABLE

	1	2	3	4	5	6
	┌───┐	┌───┐	┌───┐	┌───┐	┌───┐	┌───┐
AS	4	PDF	BS	24	P34	XSC

TABLE 1 ENCLOSURE	
CODE	DESCRIPTION
4	Die cast Aluminium, Weatherproof IP65 as per IS 13947

TABLE 2 FUNCTION	
CODE	DESCRIPTION
PDF	Pressure switch Diaphragm sealed piston sensor, fixed differential

TABLE 3 ACTUATOR SEAL					
CODE	DIAPHRAGM	O RING	WETTED PARTS	MAX TEMP ¹ °C	DIFF FACTOR
BS	Buna-N	Buna-N	SS-316	65	1.0
VS	Viton	Viton	SS-316	150	1.3
TS	Teflon	Teflon	SS-316	150	1.5
KS	Kapton	Teflon	SS-316	150	1.5
SS	SS-316	Welded	SS-316	150	2.0

TABLE 4 SWITCH ELEMENT								
CODE	DESCRIPTION	AC RATING	DC RATING					
			RESISTIVE			INDUCTIVE		
			250V	125V	30V	250V	125V	30V
20	Narrow differential	15A, 125 / 250 VAC	0.2 A	0.4A	2A	0.02A	0.03A	1A
24	General purpose	15A, 125 / 250 VAC	0.25A	0.5A	6A	0.03A	0.05A	5A
26	Environmentally sealed	15A, 125 / 250 VAC	0.2 A	0.4A	2A	0.02A	0.03A	1A
05	Environmentally sealed Gold plated contacts	1A, 125 VAC	N/A	0.5A	0.5A	NA	0.25A	0.25A
31	Gold plated contacts	1A, 125 VAC	NA	0.5A	0.5A	NA	0.25A	0.25A

TABLE 5 RANGE, PROOF PRESSURE & DIFFERENTIAL								
CODE	RANGE	PROOF PR bar				SENSOR AVAILABILITY		
			20, 26	24, 31	05	BS, TS, KS	VS	SS
LOW PRESSURE RANGES (mbar)								
P01	10 ... 100	1.4*	1 - 2	4 - 7.5	5 - 9	•	•	
P02	20 ... 200	1.4*	1.5 - 4	4 - 11	5 - 13	•	•	
P03	30 ... 300	1.4*	2 - 5	6.5 - 14	8 - 17	•	•	
P04	40 ... 400	1.4*	3 - 8	7.5 - 21	9 - 25	•	•	
VACUUM RANGES (bar)								
P21	(-1 ... 0	16	0.02 - 0.05	0.07 - 0.15	0.09 - 0.18	•	•	
P22	(-1 ... 1	16	0.03 - 0.06	0.10 - 0.15	0.12 - 0.18	•	•	
P23	(-1 ... 2	16	0.05 - 0.09	0.15 - 0.25	0.18 - 0.30	•	•	
PRESSURE RANGES (bar)								
P31	0.2 ... 1.1	16	0.02 - 0.03	0.05 - 0.1	0.06 - 0.12	•	•	
P32	0.15 ... 1.5	16	0.02 - 0.03	0.05 - 0.1	0.06 - 0.12	•	•	
P33	0.2 ... 2	16	0.02 - 0.04	0.05 - 0.1	0.06 - 0.12	•	•	•
P34	0.34 ... 3.4	16	0.03 - 0.07	0.10 - 0.2	0.12 - 0.24	•	•	•
P35	0.4 ... 4	16	0.03 - 0.07	0.10 - 0.2	0.12 - 0.24	•	•	•
P36	0.6 ... 6	25	0.04 - 0.12	0.12 - 0.35	0.14 - 0.42	•	•	•
P37	1 ... 10	25	0.08 - 0.2	0.25 - 0.5	0.30 - 0.60	•	•	•
P38	1.6 ... 16	40	0.09 - 0.3	0.35 - 0.9	0.42 - 1.10	•	•	•
P39	2.5 ... 25	65	0.30 - 0.6	0.60 - 1.7	0.72 - 2.05	•	•	•
P40	4 ... 40	65	0.40 - 1.0	0.80 - 2.2	0.96 - 2.64	•	•	•
P41	6 ... 60	90	0.50 - 2.0	1.30 - 4.0	1.56 - 4.80	•	•	•
P42	10 ... 100	200	1.20 - 3.5	3.10 - 10.5	3.75 - 12.6	•	•	
P43	20 ... 200	300	2.10 - 5.2	5.60 - 16.5	6.75 - 19.8	•		

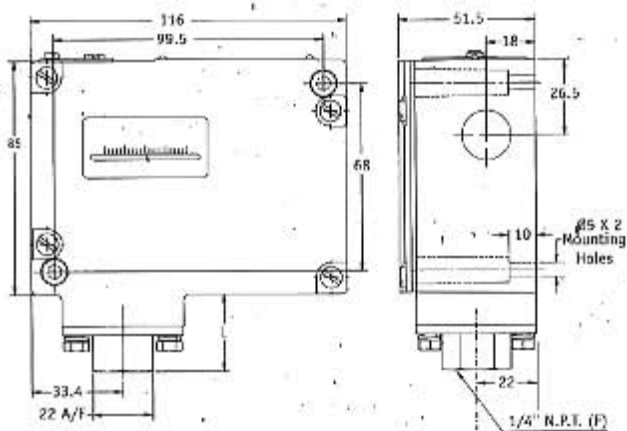
(1) Differential units are same as of range and values indicated are the maximum values that may be observed at minimum and maximum range. Normally differential values observed shall be lower than indicated. Differential values are indicated for switches with Buna-N diaphragm. For differentials with other diaphragm use differential multiplication factor as mentioned in table 3

* Proof pressure can be increased to 7 bar using option XHX

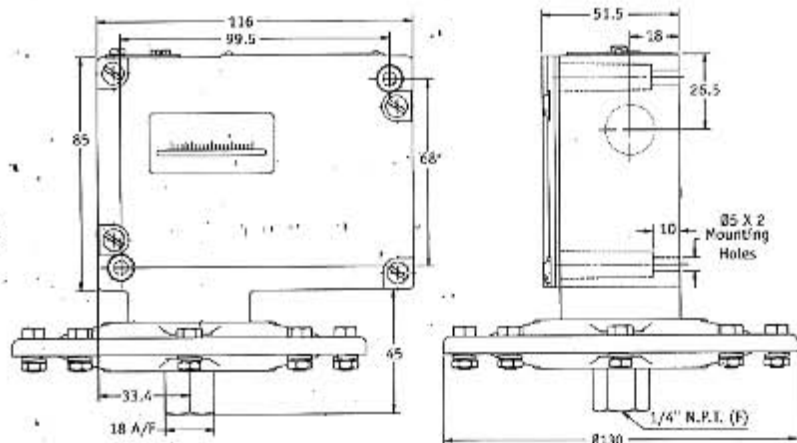
TABLE 6		OPTIONS
CODE	DESCRIPTION	
XHX	High proof pressure for mbar ranges (7 bar)	
XCH	Chained cover	
XBP	Wall mounting bracket for mbar ranges	
XTM	2" Pipe mounting bracket	
XSC	Adaptor for process connection size other than 1/4" NPT (F)	
XPC	Plug in connector	
XFS	Factory adjusted set point	
XNH	Tag plate	
XBC	Blind cover	
XJR	Bottom cable entry	
XCD	Double compression cable gland, Nickel plated Brass	
XCS	Single compression cable gland Nickel plated Brass	

DIMENSIONAL DRAWINGS

Vacuum and Pressure Ranges



Low Pressure Ranges



All Dimensions are in 'mm'

RANGE CODE	L
P 42, P43	49
Others	29

Regd Office

706-707, Surya Kiran, 19 Kasturba Gandhi Marg,
New Delhi-110001, India
Tel : 91-11-23316196 /97/98 Fax : 91-11-23316331
e-mail : info@indfos.com

Works

B-20-21, Industrial Area, Site No. 3, Meerut Road,
Ghaziabad, U.P.- 201003, India
Tel : 91-120-2712016 /376/134 Fax : 91-120-2712023
e-mail : controls@indfos.com

Exports

706-707, Surya Kiran, 19 Kasturba Gandhi Marg,
New Delhi-110001, India
Tel : 91-11-23316196 /97/98 Fax : 91-11-23316331
e-mail : export@indfos.com

Regional Offices

North B-20-21, Industrial Area, Site No. 3, Meerut Road,
Ghaziabad, U.P.- 201003 Tel : 91-120-2712016 /376/134
Fax : 91-120-2712023 e-mail : delhi@indfos.com

East Shanti Niketan, Flat No. 5, 8th Floor, 8Camac Street,
Kolkata - 700017 Tel :- 91-33-22824599 / 4215
Fax :- 91-33-22824215 e-mail : kolkata@indfos.com

West Udyog Bhawan, Room No. 136, 1st Floor, Sonawala Road,
Goregaon (East) Mumbai - 400063 Tel:- 91-22-26867136 /1237
Fax :- 91-22-26862953 e-mail : mumbai@indfos.com

South 3-G, Laxmi Bhawan, 609, Mount Road,
Chennai - 600006 Tel :- 91-44-28295723 /3407
Fax :- 91-44-28291760 e-mail : chennai@indfos.com